

PERMSCREEN

Projecta BV
 P.O. Box 191, 6000 AD Weert
 Franklinstraat 14
 6003 DK Weert
 The Netherlands
 Tel: +31 (0) 495580840
 Fax: +31 (0) 495580845
 sales@projectascreens.com
 www.projectascreens.com



PROJECTA
 Screens for Professionals

SUGGESTED SPECIFICATIONS

Fixed Frame projection screen with an aluminum frame. The aluminum frame is 4 cm (1.5") wide and 4 cm (1.5") deep. The aluminum frame is finished with a matte black powder coating. The projection screen surface is attached to the rear of the screen by snaps. The aluminum frame parts are connected in the corners. Standard the wall brackets are supplied.

SCREEN SURFACES

All screen surfaces are seamless.

Matte White; Gain 1.0, viewing angle 120°, Flame retardant, max. height 244 cm, max. width 320 cm

High Contrast Cinema Vision; Gain 1.1, viewing angle 100°, Flame retardant, max. height 244 cm, max. width 320 cm

Da-Tex®: Gain 1.3, viewing angle 60°, Flame retardant, max. height 244 cm, max. width 320 cm

DIMENSIONS (SELECT ONE OF OUR STANDARD SIZES AND ENTER THE REQUIRED QUANTITY)

Aspect Ratio	Overall Dimensions	Viewing Area	Nominal Diagonal		Weight	Surfaces		
	h x w cm	h x w cm	cm	inches	in kg	Matte White	High Contrast Cinema Vision	Da-Tex®
4:3	99 x 130	91 x 122	152	60	4			
	117 x 153	109 x 145	183	72	5			
	136 x 178	128 x 170	213	84	6			
	160 x 211	152 x 203	254	100	9			
	191 x 252	183 x 244	305	120	12			
	237 x 313	229 x 305	381	150	15			
16:9	122 x 211	114 x 203	234	92	8			
	140 x 242	132 x 234	269	106	9			
	155 x 272	147 x 264	302	119	10			
	173 x 303	165 x 295	338	133	11			

CUSTOM SOLUTIONS

Give exact the sizes of the projection screen you need:

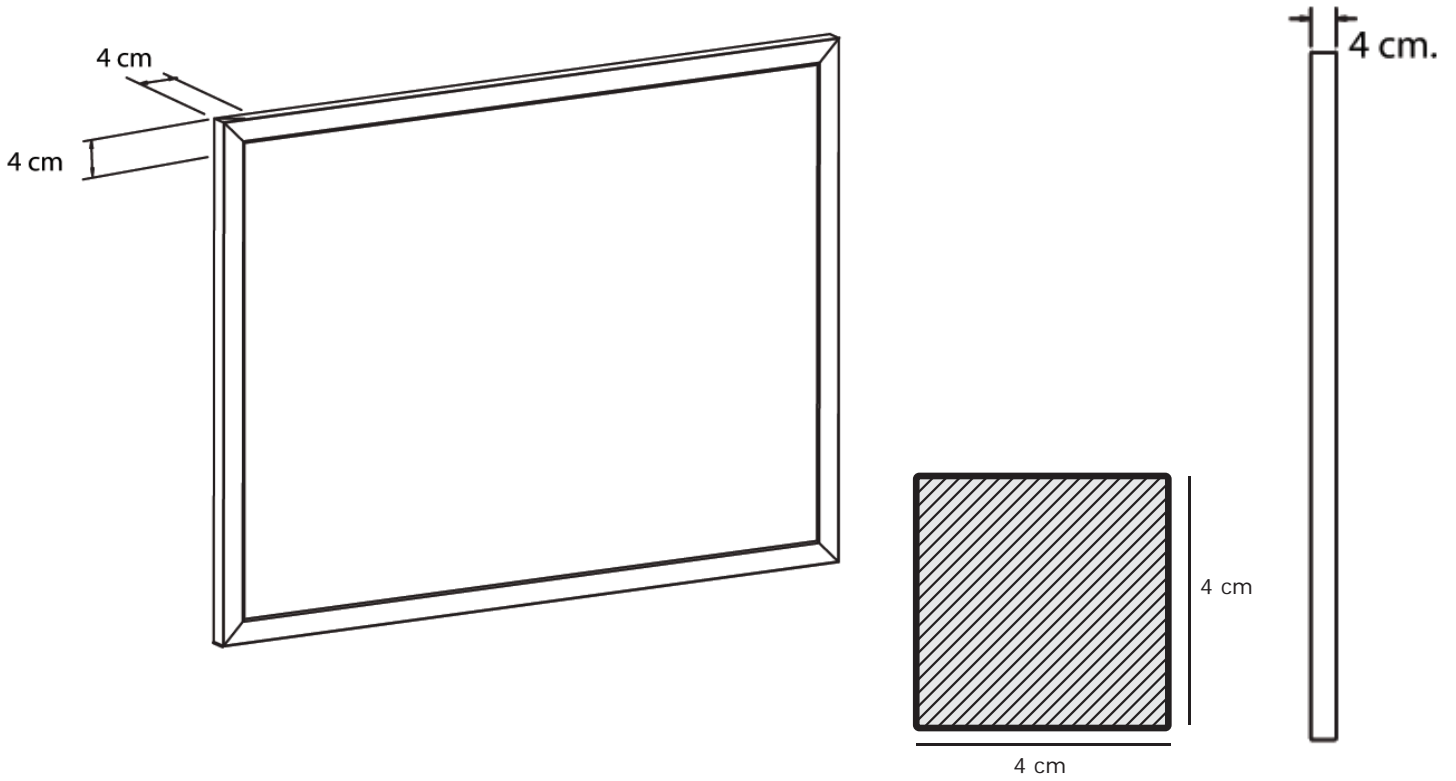
Viewing size: _____ Height (cm.) x _____ width (cm.) Surface: _____

RAL color frame: RAL _____

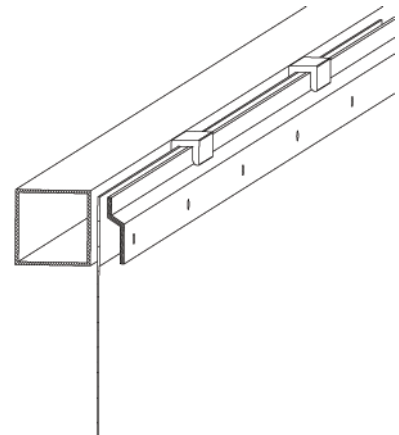
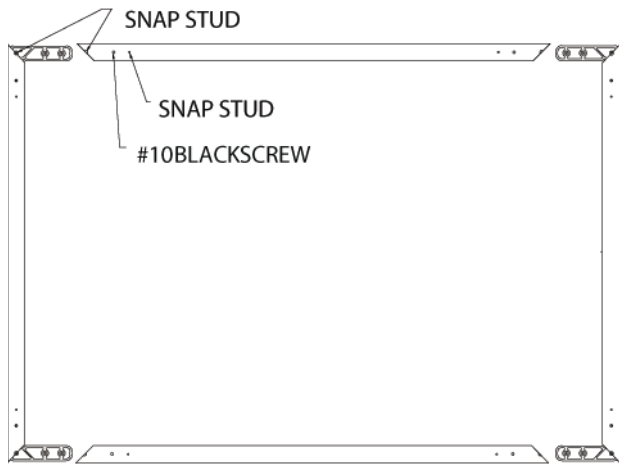
Remarks: _____

www.projectascreens.com/screendesigner

DIMENSIONS



INSTALLATION



Project:	_____
Architect:	_____
Phone:	_____
Contractor:	_____
Phone:	_____
Supervisor:	_____
Phone:	_____
Supplier:	_____
Date:	_____
Revised:	_____